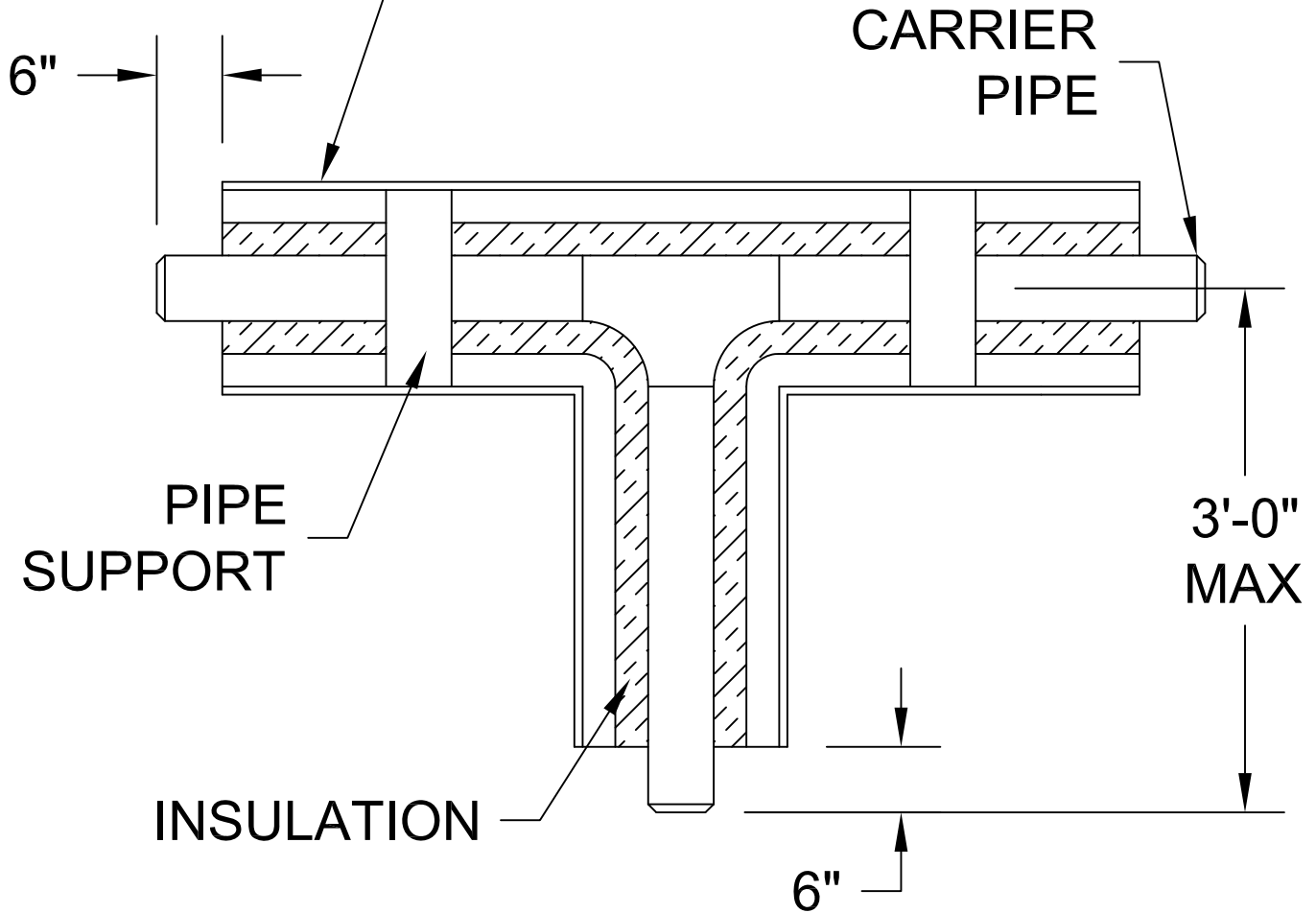


FUSION BONDED EPOXY
COATED STEEL CONDUIT
(RHINOCOAT)



CONDUIT TEE DETAIL

N.T.S.

DESCRIPTION: CONDUIT TEE DETAIL

DRAWN BY:
AMK

APPR. BY:

DATE/REV:
02/12/04

DWG. NO:
SCDT-01

Rovanco®

20535 S.E. FRONTAGE RD. JOLIET, IL. 60431 (815) 741-6700