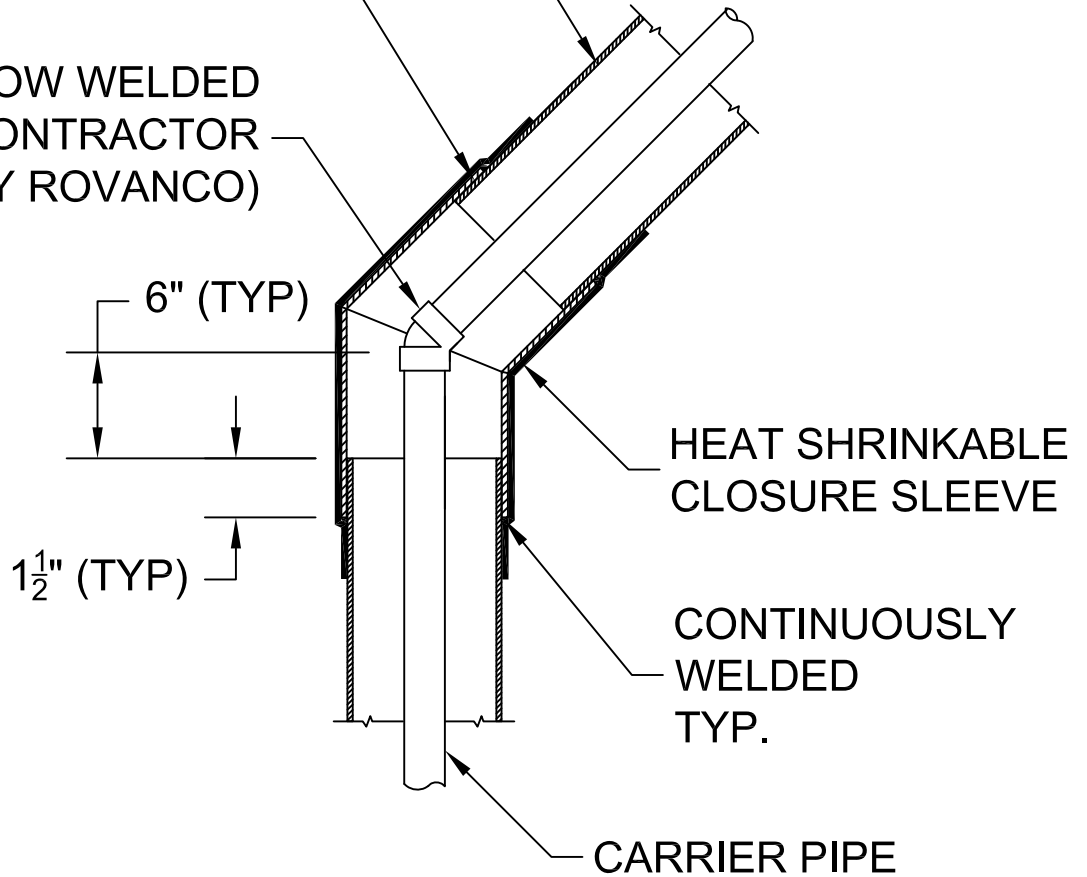


FUSION BONDED EPOXY
COATED STEEL CONTAINMENT
(RHINOCOAT)

MITERED CASING SECTIONS
INSTALLED BY CONTRACTOR

45° ELBOW WELDED
BY CONTRACTOR
(SUPPLIED BY ROVANCO)



QUICK FIT CONTAINMENT 45° ELBOW DETAIL

N.T.S.

Rovanco®

20535 S.E. FRONTAGE RD. JOLIET, IL. 60431 (815) 741-6700

NAME: QUICK FIT CONTAINMENT 45° ELBOW DETAIL

APPR BY:
DK

DRAWN BY:
AD

DATE/REV:
10/14/2009

DWG NO:
CT-SxS-E-07