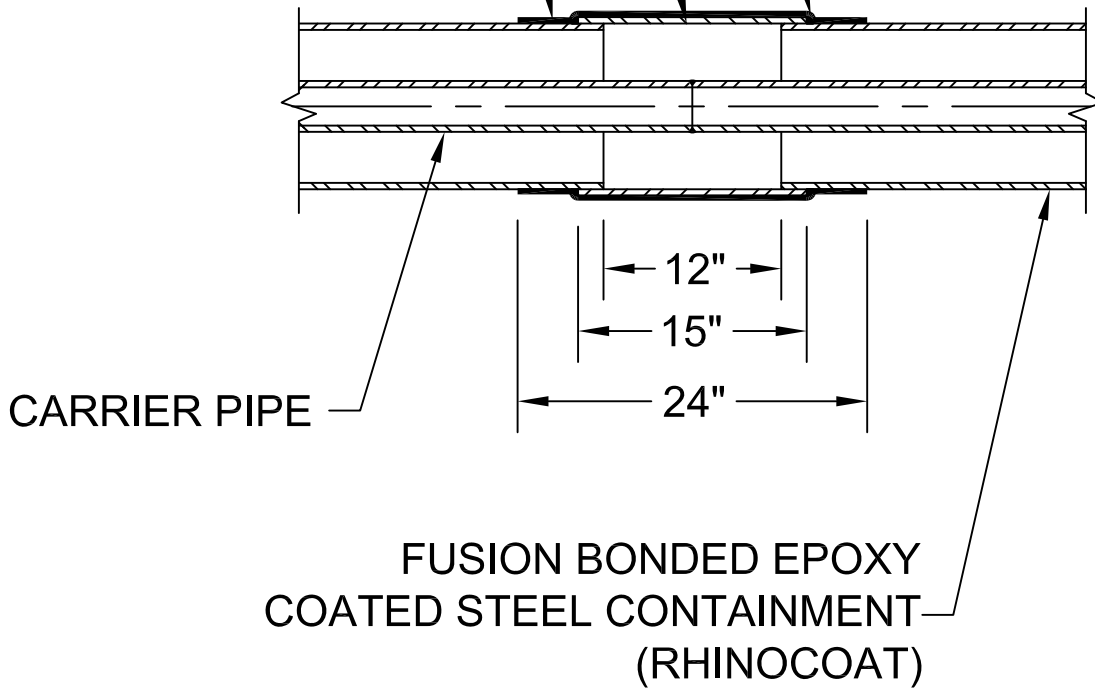


CONTINUOUS FIELD WELD
ON STEEL CONNECTOR BAND

15" STEEL CONNECTOR BAND

24" WIDE HEAT SHRINKABLE
CLOSURE SLEEVE



STEEL CONTAINMENT FIELD JOINT DETAIL

N.T.S.

Rovanco[®]

20535 S.E. FRONTAGE RD. JOLIET, IL. 60431 (815) 741-6700

NAME: CONTAINMENT FIELD JOINT DETAIL

APPR BY:
DK

DRAWN BY:
AD

DATE/REV:
10/14/2009

DWG NO:
CT-SxS-FJ-01