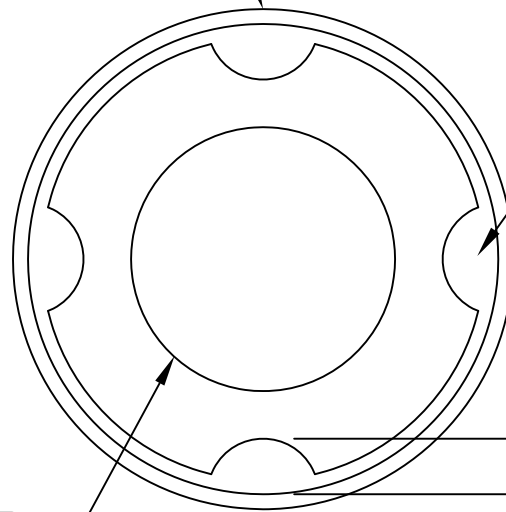


CONTAINMENT JACKET

AIR VENT
(TYP. 4)



1/2" TYP.

HOLE FOR
CARRIER PIPE

CONTAINMENT PIPE SUPPORT DETAIL

N.T.S.

Rovanco[®]

20535 S.E. FRONTAGE RD. JOLIET, IL. 60431 (815) 741-6700

NAME: CONTAINMENT PIPE SUPPORT DETAIL

APPR BY:
DK

DRAWN BY:
AD

DATE/REV:
10/14/2009

DWG NO:
CT-SxS-SS-01