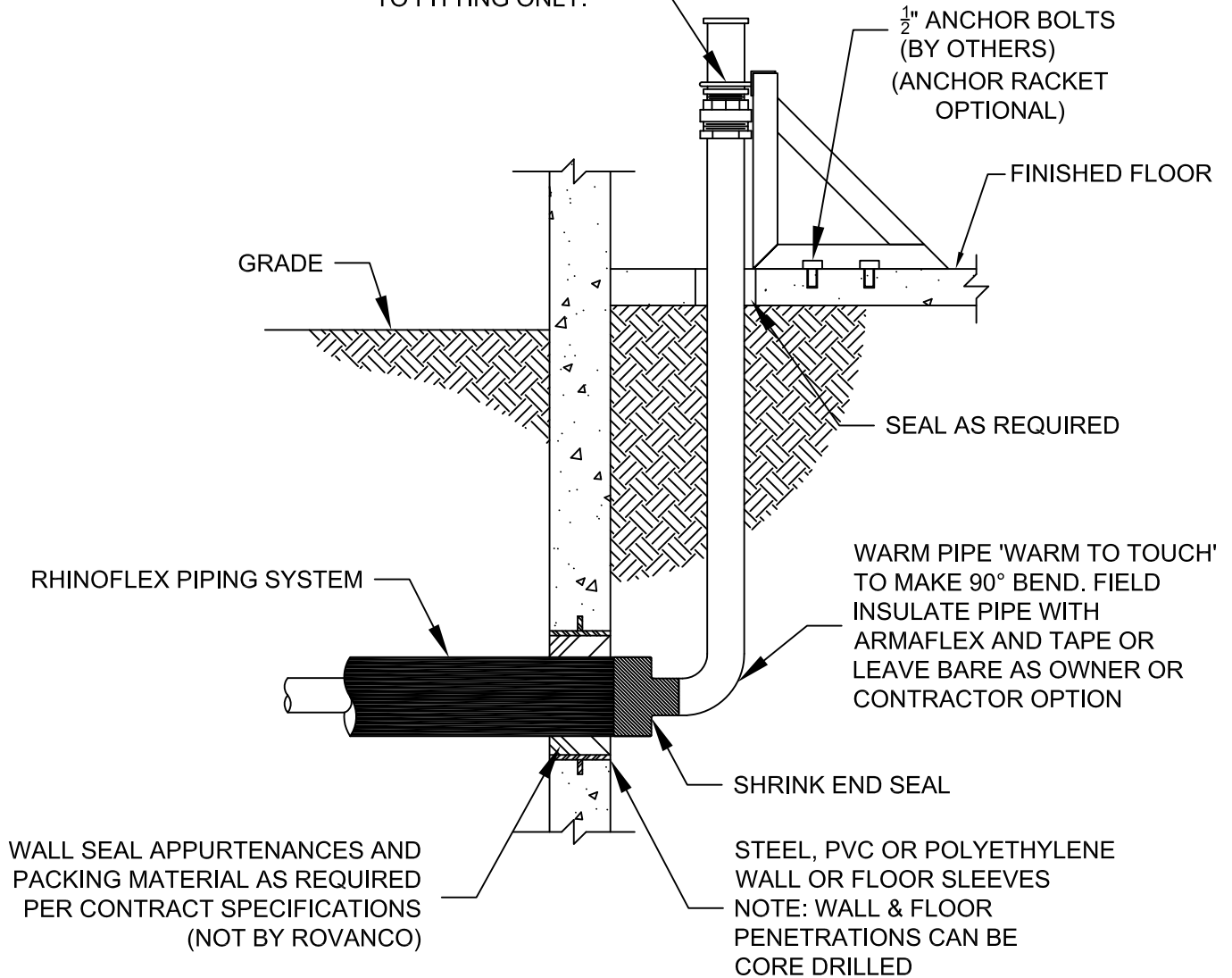


NOTE:
DO NOT CLAMP U-BOLT TO
CARRIER PIPE OR RHINOFLEX
ADAPTER COUPLING. CLAMP
TO FITTING ONLY.



Rovanco®

20535 S.E. FRONTAGE RD. JOLIET, IL. 60431 (815) 741-6700

NAME: RHINOFLEX ENTRY DETAIL-SLAB ON GRADE

APPR BY:
DK

DRAWN BY:
RMT

DATE:
03/05/10

DWG NO:
RF-006